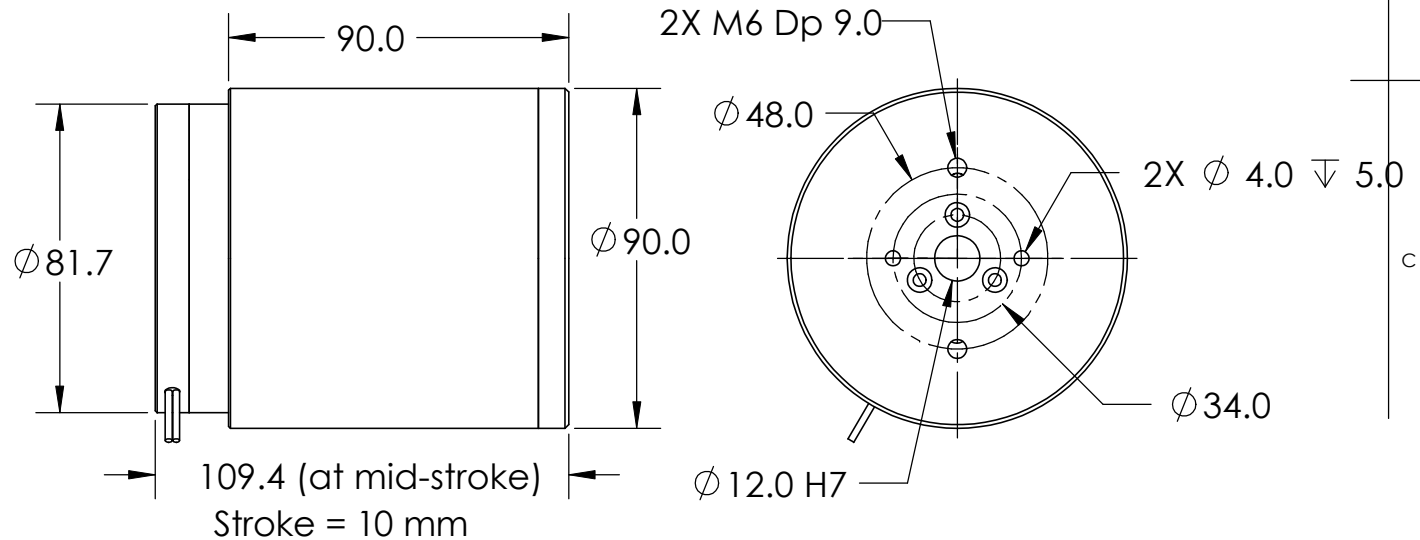
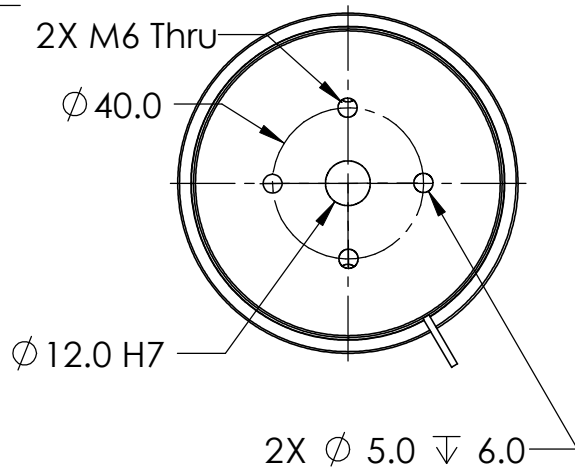
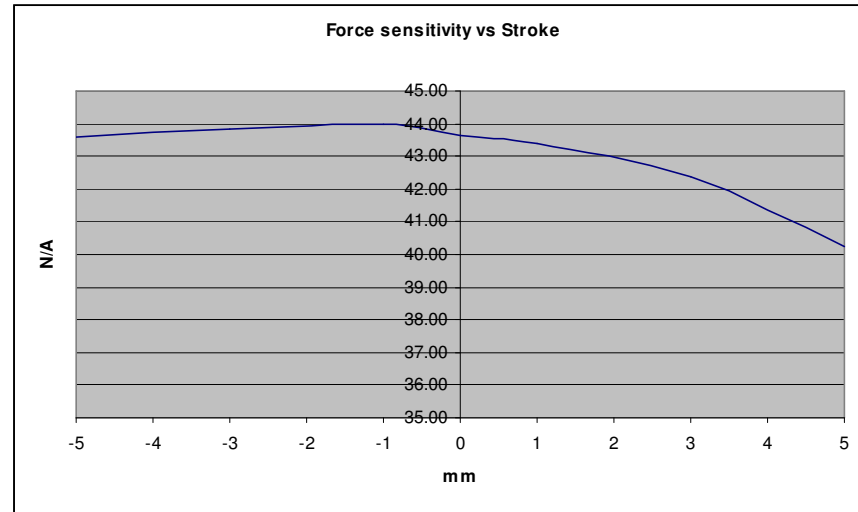


AVM90-HF-10

Model	Units	AVM 90-HF-10
Stroke	mm	10
Force sensitivity (at mid stroke)	N/A	43.62
Back EMF constant	V/m/s	43.62
Continuous force (at 100 °C)	N	152.67
Continuous force (at 155 °C)	N	196.29
Peak force	N	610.7
Resistance	ohms	3.0
Inductance	mH	7.52
Recommended min bus voltage	V	60.0
Voltage at peak force	V	42.0
Continuous current (coil at 100 °C)	A	3.5
Continuous current (coil at 155 °C)	A	4.5
Peak current	A	14.0
Actuator constant	N/SqRt(W)	25.18
Electrical time constant	ms	2.5
Mechanical time constant	ms	1.5
Clearance of coil	mm	0.65
Power at peak force	W	588.0
Max coil temperature	°C	155.0
Coil assembly mass	g	941.6
Core assembly mass	g	2000.0



REVISION	3 rd angle projection Dimensions in mm .X +/- 0.05 X +/- 0.5	TITLE:	AVM90-HF-10
MATERIAL:		Drawing:	
DATE	2 Sept 2010	Akribis Systems Pte Ltd	
SCALE:	1:5		
		SHEET 1 OF 1	