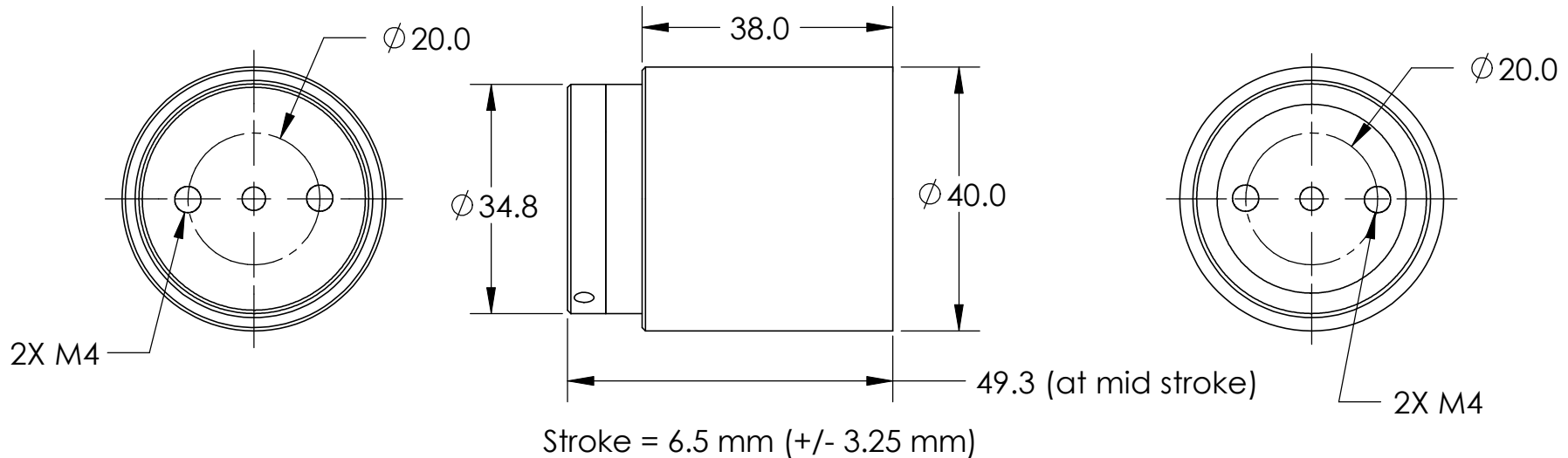
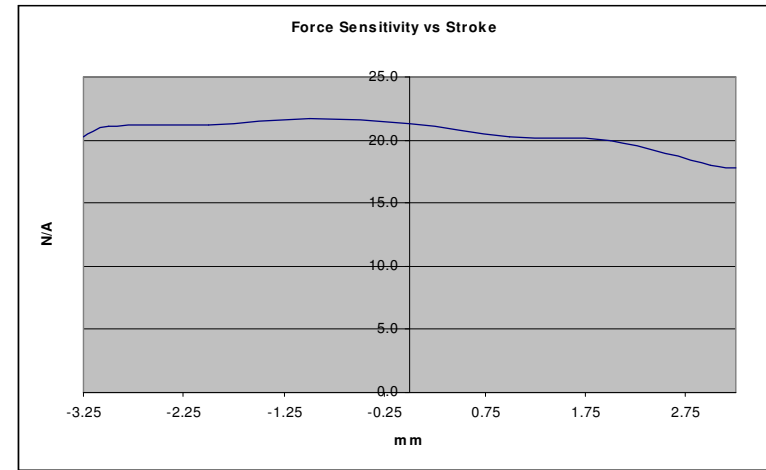


Model	Units	AVM 40-HF-6.5
Stroke	mm	6.5
Force sensitivity (at mid stroke)	N/A	20.70
Back EMF constant	V/m/s	20.70
Continuous force (at 100 °C)*	N	16.56
Continuous force (at 155 °C)*	N	22.77
Peak force	N	93.2
Resistance	ohms	10.8
Inductance	mH	3.97
Recommended minimum bus voltage	V	60.0
Voltage at peak force	V	48.6
Continuous current (coil at 100 °C)*	A	0.80
Continuous current (coil at 155 °C)*	A	1.10
Peak current	A	4.5
Actuator constant	N/SqRt(W)	6.30
Continuous power (at 100 °C)*	W	6.91
Electrical time constant	ms	0.4
Mechanical time constant	ms	1.6
Clearance of coil	mm	0.60
Power at peak force	W	218.7
Thermal dissipation constant	W/°C	0.092
Max coil temperature	°C	155.0
Coil assembly mass	g	64.0
Core assembly mass	g	221.0

* Continuous force measured without any additional mounting plate or

AVM40-HF-6.5



REVISION	3 rd angle projection Dimensions in mm .X +/- 0.05 X +/- 0.5	TITLE:	AVM40-HF-6.5
MATERIAL:		Drawing:	
DATE	12 June 2007	Akribis Systems Pte Ltd	
SCALE:	1:5		
		SHEET 1 OF 1	

A4